

## Prestel NCS-TUIDW

Wireless Digital Conference Delegate Unit





## NCS-TU1DW

Wireless Digital Conference Delegate Unit

- Video Tracking
- 4.3" Touchscreen
- High-Fidelity Microphone
- Supports USB-C or charging base charging

USB-C/Magnetic  
Charging

8000mAh  
Battery

4.3-Inch  
Touch Screen

Wi-Fi 6

ANC

# MAIN FEATURES

## ▲ Wireless IP Conference Architecture

- All-IP network design with support for 5G / 6G Wi-Fi wireless connection
- Fully digital audio transmission with strong anti-interference capability
- Seamless integration with the LCN-8000 series conference host, supporting mixed wired and wireless systems

## ▲ Conference Management

- Multi-Mode Conference Support: Works with FIFO, Request, Chairman, Timed, and Voice-Activated conference modes.
- Clear Status Indication: Independent LED indicators show speaking status and microphone operation at a glance.

## ▲ High-Fidelity Audio Pickup & Processing

- Single 14mm gold-plated high-fidelity condenser microphone with supercardioid pickup pattern
- Extended pickup distance ensures clear speech capture even when the speaker is not close to the microphone
- Supports independent local gain and AGC adjustment on each microphone unit
- Wide frequency response (20Hz–20kHz) delivers natural and intelligible voice reproduction

## ▲ High-Capacity Battery & Fast Charging

- Built-in 8000mAh polymer lithium-ion battery
- Up to 12 hours of continuous speaking
- Up to 16 hours of standby time
- Supports magnetic charging dock and USB-C PD fast charging

# SPECIFICATION

## POWER PARAMETERS

Power Supply: Lithium Battery (8000mAh)

Power Consumption:  $\leq 3W$

## MICROPHONE AUDIO PARAMETERS

Frequency Response: 20Hz–20kHz

Sensitivity:  $-41dB \pm 2dB$  (0dB=1V/Pa @1kHz)

Max SPL: 120dB SPL @1kHz, 1% THD

## INTERFACE

3.5mm Audio Output Jack \*1

## MECHANICAL & ENVIRONMENTAL PROPERTIES

Mounting Method: Desktop

Installation Environment: Dry Indoor Locations

Display: 4.3 Inch Capacitive Touch Screen

Product Color: Black

Microphone Head: 14mm Diameter Gold-Plated Capacitive Microphone

Directional: Supercardioid

Shell Material: ABS/Aluminum Alloy

Working Temperature:  $0^{\circ}C \sim +45^{\circ}C$

Working Humidity:  $\leq 90\%RH$ , No Condensation

Product Dimensions: 144(D)×100(H) (mm)

Warranty: 2 Years

## ACCESSORIES

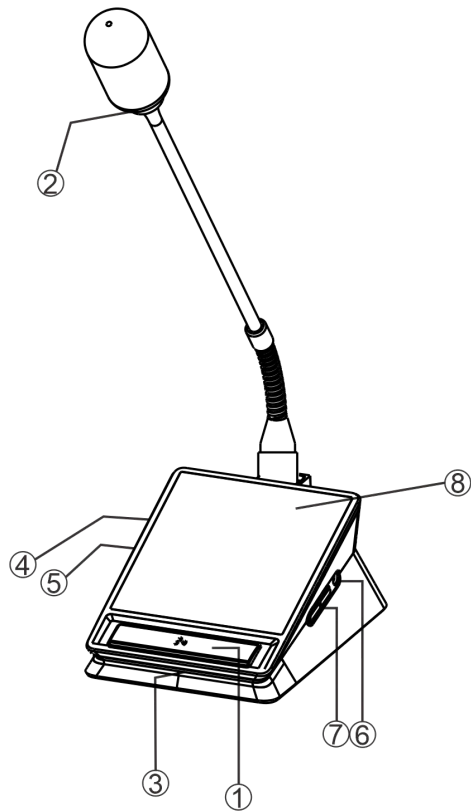
1×Quick Installation Guide

1×Quality Certificate

1×Warranty Card

# INTERFACE DESCRIPTION

## [ Front Panel ]



① Speak Button: LED on when idle; press to speak (LED off).

② Microphone Rod Indicator: Lights up during speech.

③ Speech Status Indicator: Lights up during speech.

④ Reserved Indicator: Undefined

⑤ Type-C interface: Used for updating firmware.

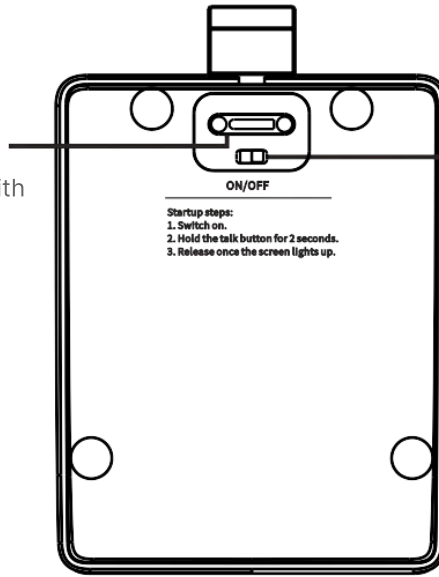
⑥ 3.5 mm Audio Jack

⑦ Volume Buttons: + / - for 3.5mm audio output.

⑧ Touch Screen

[ Rear Panel ]

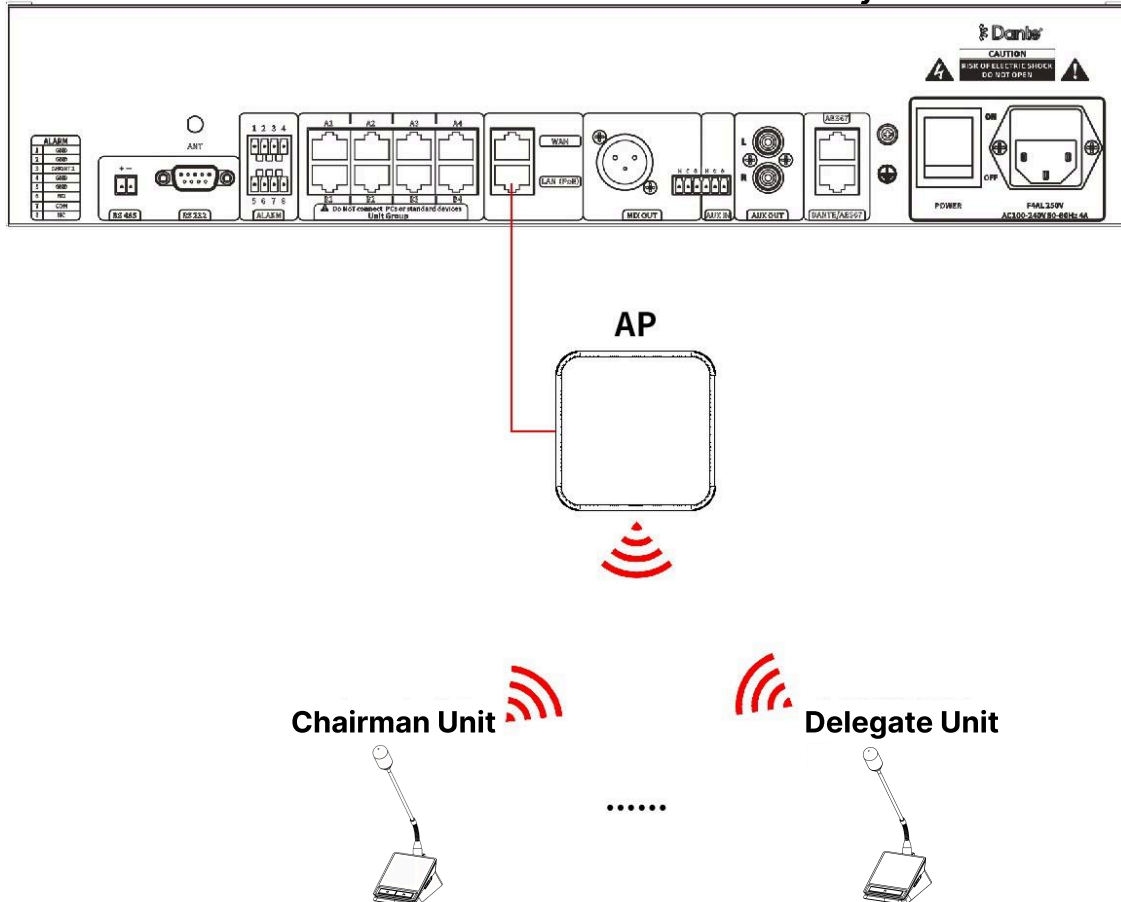
② **Magnetic pedestal:**  
Used for charging, used with wireless charging station.



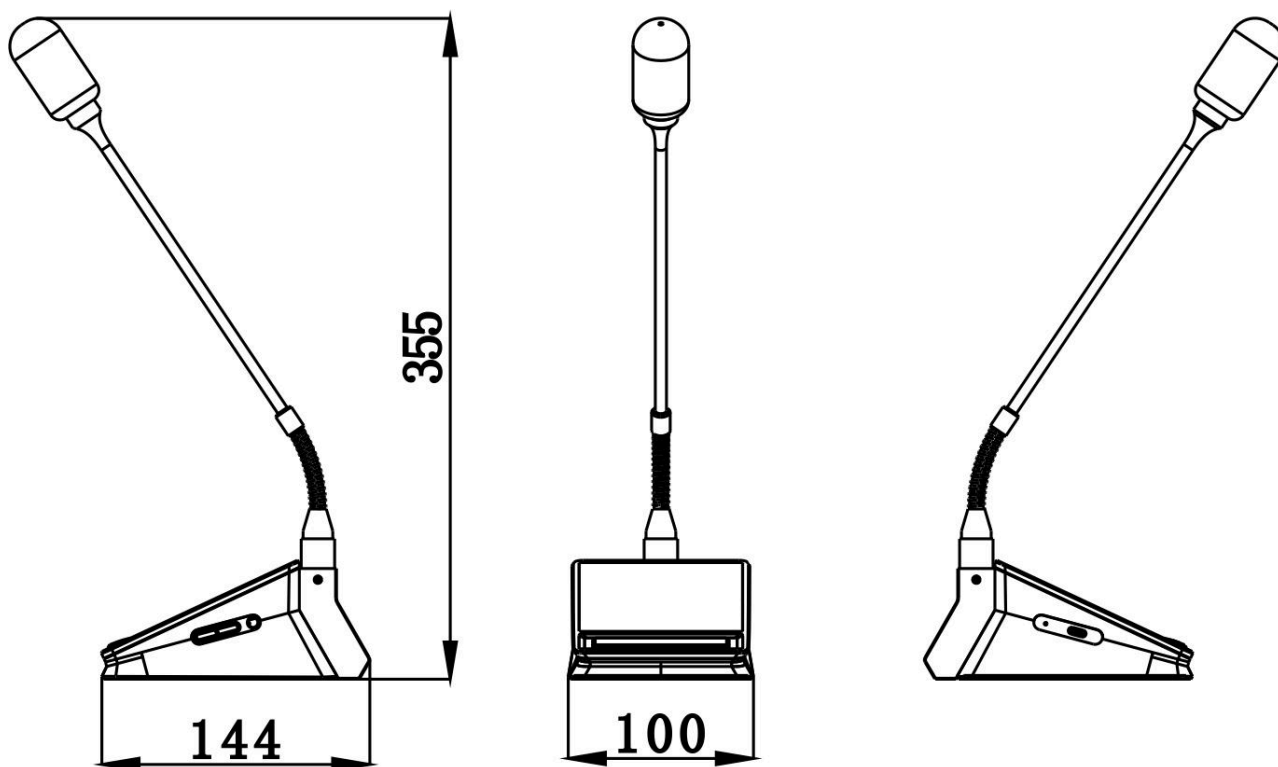
① **Power Switch :**  
Control the power supply of the microphone. It is recommended to dial to OFF when the microphone is not in use.

## CONNECTION DIAGRAM

### IP Network Conference System Central Unit



## DIMENSIONAL DRAWING



## INSTALLATION INSTRUCTIONS

